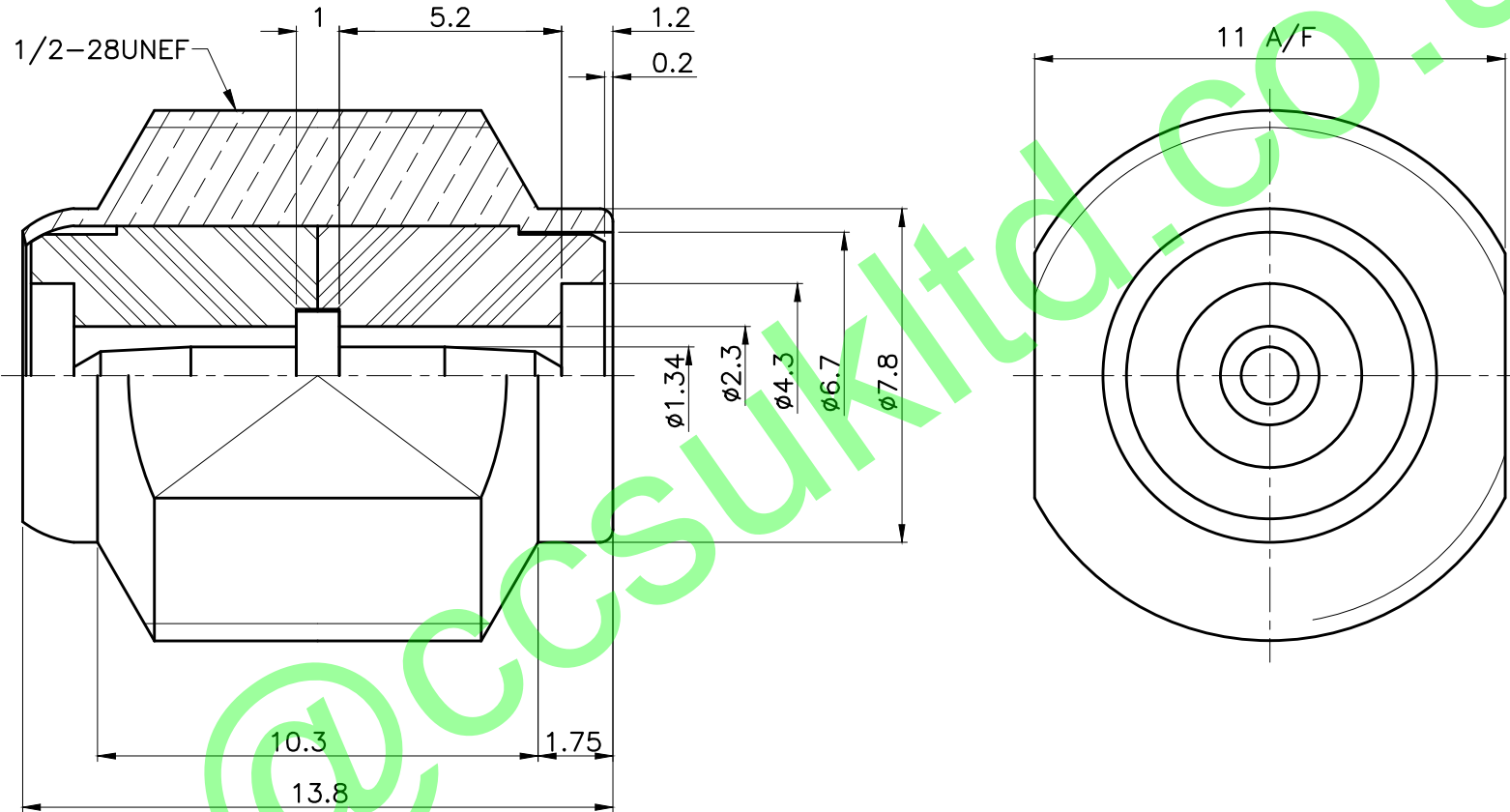


REVISIONS	
ISS	DESCRIPTION\DATE

RoHS COMPLIANT



CONNECTORS CABLES



SPECIALISTS LTD.

APRD:	UNLESS OTHERWISE SPECIFIED TOLERANCES 0.5-6 = ±0.2 >6-30 = ±0.4 >30-120 = ±0.6 >120-315 = ±1 >315-1000 = ±1.6 ANGLES = ±5°			
CHKD:		CONTACT PIN	BRASS	GOLD
DR:		INSULATOR	TEFLON	WHITE
TITLE: CONNECTOR KIT ADAPTOR	DATE: 05/30/13" UNIT: mm	BODY	BRASS	GOLD
PART NO: . CCS-ST-102105	SCALE: 6/1	NO. DESCRIPTION	MATERIAL	FINISH
DRAWING NO: . 029 SHEET: .				